



CPU Closed Loop Water Cooling Kit
Installation Guide



The following instructions and pictures are provided to assist your installation of the EVGA CPU Closed Loop Water Cooling Kit to Intel LGA20XX / 1366 / 115X motherboards. Please be careful when installing the cooling kit; there are several very small fasteners that can be stripped if you are not careful. Before you begin, please verify the contents of the box to ensure that the following items are present:



(A) Intel LGA20XX
(2011, 2011-v3, 2066)
(M4 thread)



(B) Intel LGA115X / 1366
(1150, 1151, 1155, 1156, 1366)
(M3 thread)



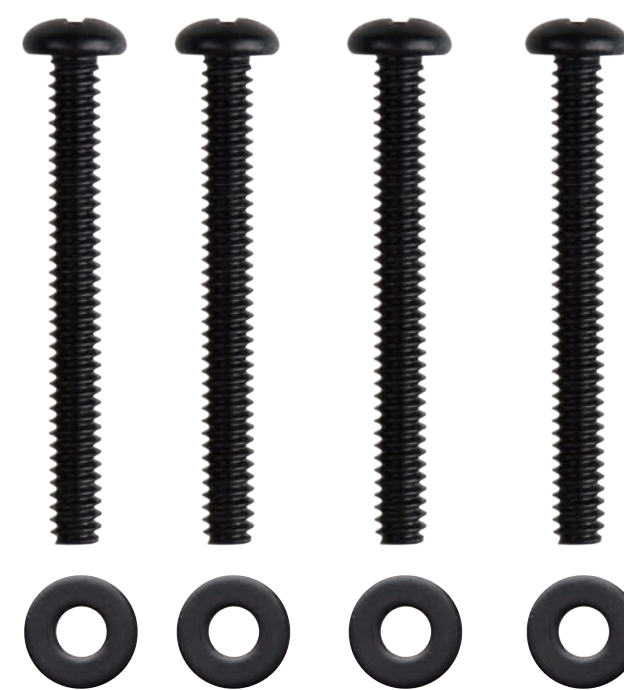
(C) Intel LGA115X / 1366 / 20XX
Retention Ring



(D) Intel LGA115X / 1366 Backplate



(E) Adhesive Foam



(F) Screws and Washer Parts
(Fan to Radiator)



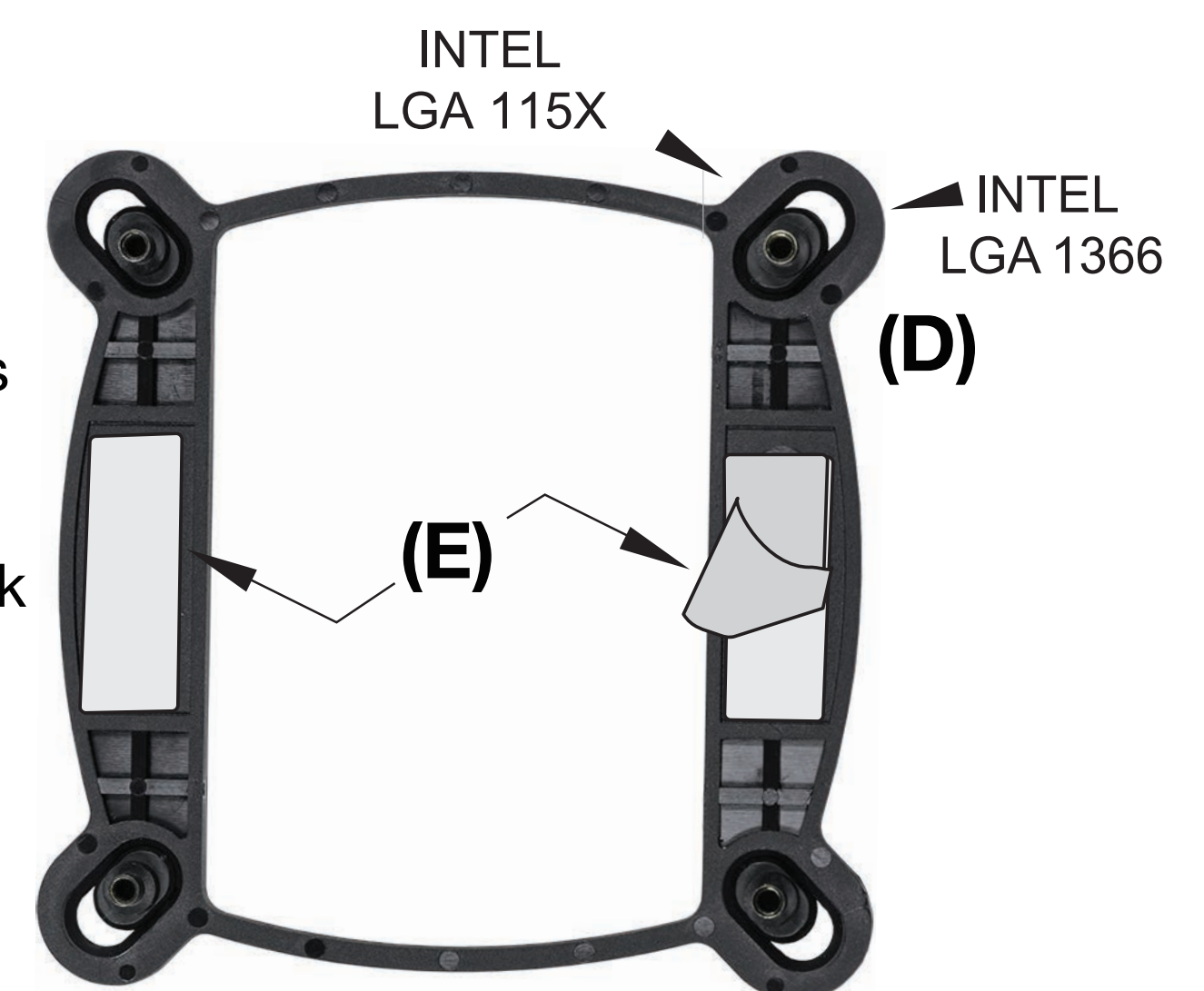
(G) Screws (Radiator to Case)

1) Backplate installation

If you are an Intel LGA115x or 1366 user, please first attach Part (E) Adhesive Foam on the backplate, as shown in the image to the right. Next, put Part (D) on the back of motherboard. Slide standoffs to line up with the cooler mounting holes in your motherboard. Please skip this step for LGA20XX motherboards; backplates are not used for LGA20XX sockets.

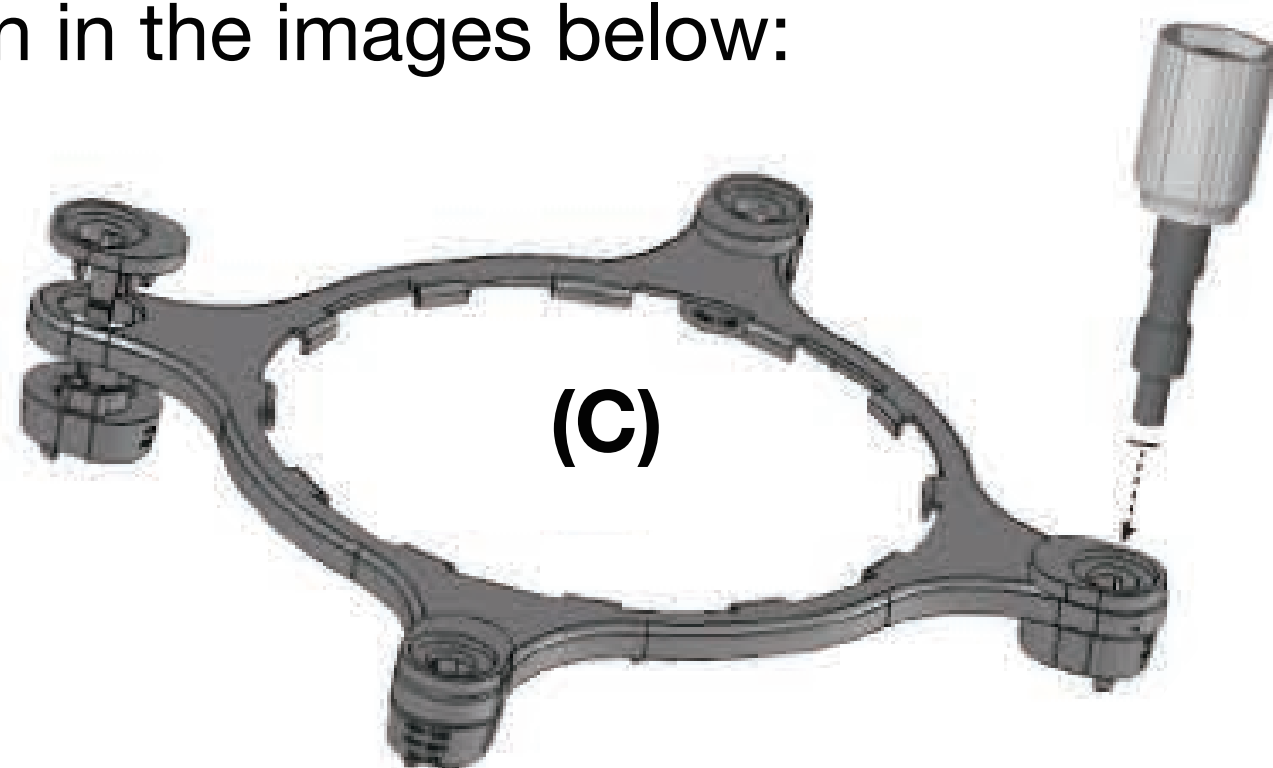
Slide standoffs to line up with the cooler mounting holes in your motherboard.

Affix backplate to back of motherboard using adhesive foam.



2) Prep metal retention ring

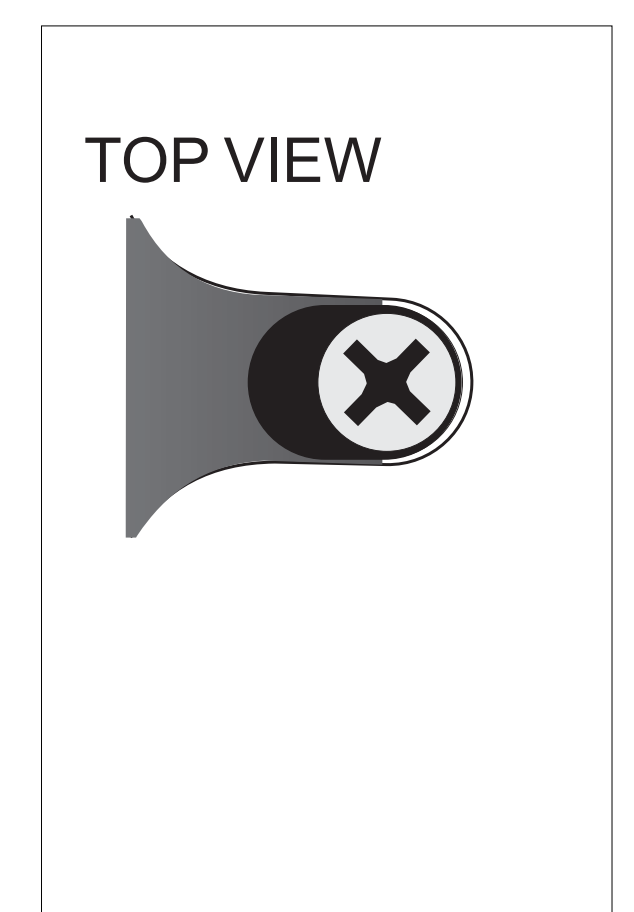
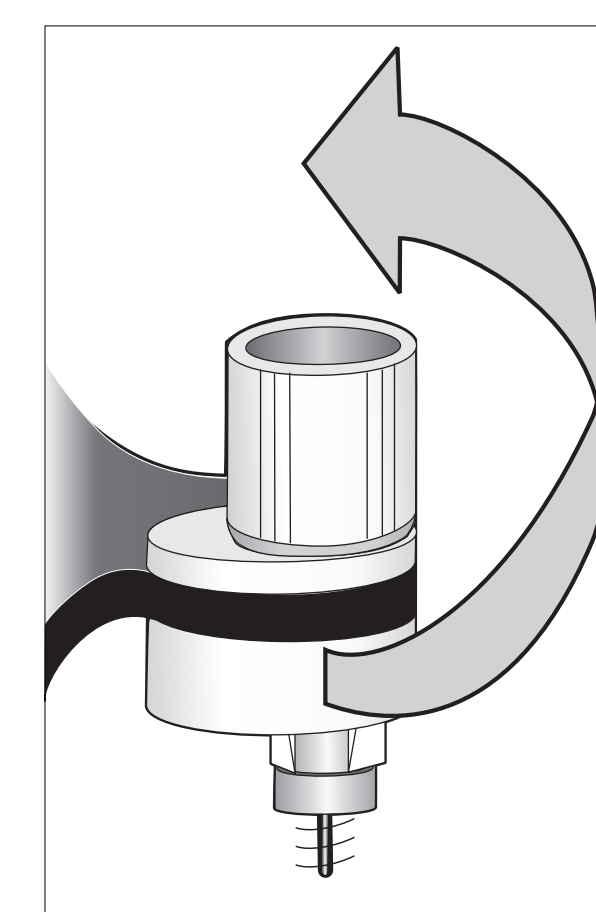
The top and bottom plastic inserts are pre-assembled. Insert the applicable Intel screws (A) or (B). Twist the screws to align the holes according to your socket type, as shown in the images below:



a. Use INNER configuration for Intel 115X (default)

b. Twist to change configuration

c. Use OUTER configuration for Intel 1366 and 20XX



3) Attach Retention Ring to the Pump

Make sure to remove the plastic cover, which protects the thermal paste on the heatsink. Slide the retention ring (C) around the bottom of the pump / cooler, without touching the thermal paste. Please note the correct orientation of the top and bottom of the plastic inserts, as shown in Step 2. After placing the ring against the pump / cooler, turn the ring clockwise until fully secure. To remove the ring, turn the ring counter-clockwise until it loosens enough to remove. Carefully, either replace the plastic cover over the heatsink or set the heatsink down to prevent contact with the thermal paste until Step 5.



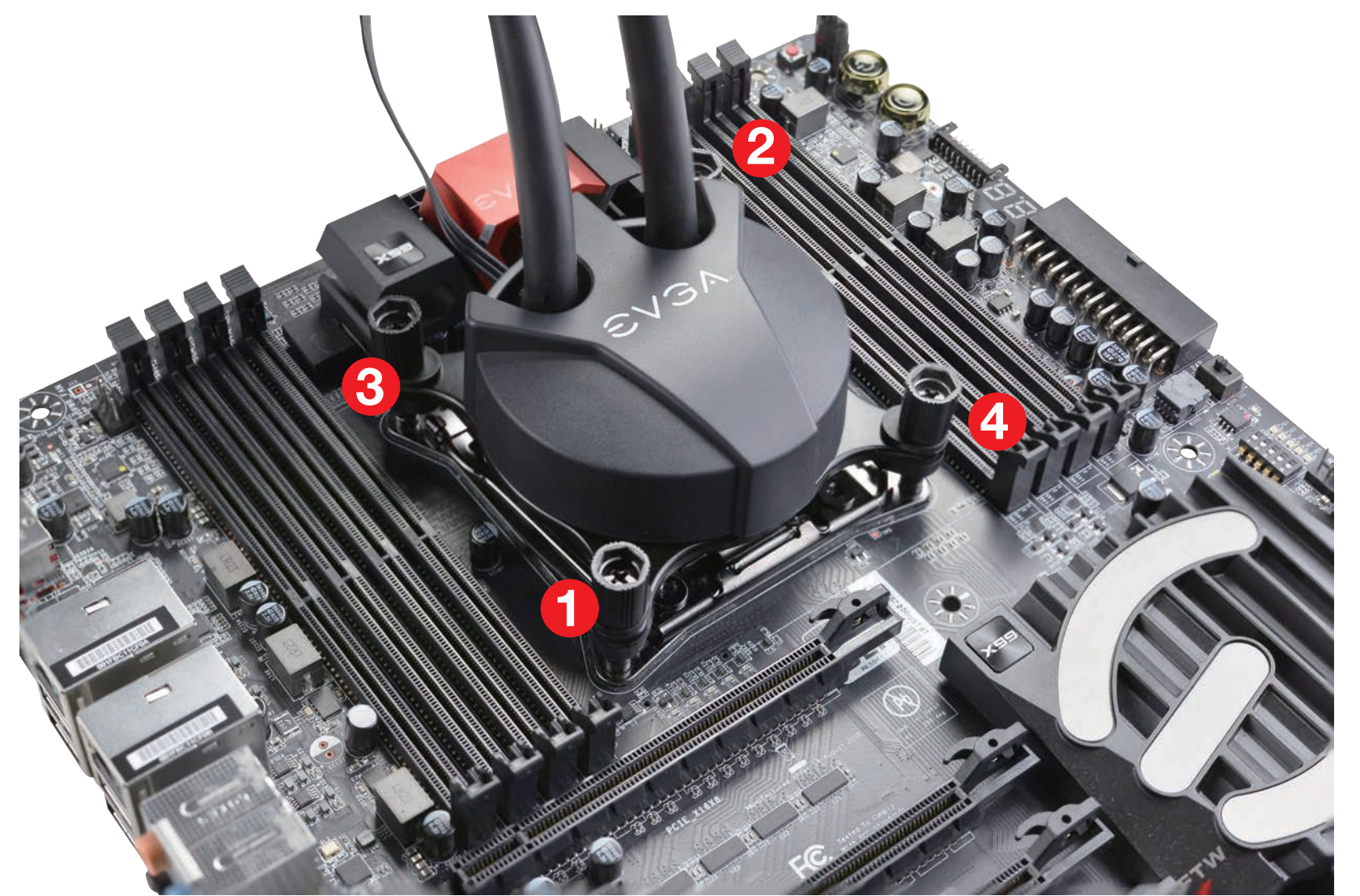
4) Attach Fan to Radiator

Use screws and washers Part (F) to install the fan to the radiator. The fan is designed to blow through the radiator and out of the chassis, and should be installed in the orientation shown in the image. If you wish to install a different fan, please follow the manufacturer's instruction for installation.



5) Install pump / coldplate assembly on CPU

Make sure to remove the plastic cover, which protects the thermal paste on the heatsink. Position the pump / cooler over the CPU, as shown in the image to the right, and lower the heatsink until the screws seat into the backplate (115X and 1366) or the socket mounting holes (20XX). Tighten the screws in order, as shown in the image to the right; this helps to prevent CPU and / or socket damage.



6) Install radiator / fan

Mount the radiator and fan to the chassis, using included screws (G). The radiator should be between the fan and chassis. Connect the fan's power connector to an available fan header on your motherboard. Finally, connect the pump's power connector directly to the motherboard's CPU fan header; please check your motherboard's manual for the location of its fan headers, as connecting this to an incorrect jack can potentially cause irreparable damage to components.



Important Information

EVGA CPU Closed Loop Water Cooling Kit is an AIO (All-In-One) cooling system. With AIO Water Cooling Systems, you do not need to add any coolant, and the system is completely self-contained. All EVGA CPU Closed Loop Water Cooling Kits are leak tested at the factory, and are ready to install when received.

Warranty for the EVGA CPU Closed Loop Water Cooling Kit

Your EVGA CPU Closed Loop Water Cooling Kit comes with a 5 (five) year warranty. Refer to your motherboard's warranty information before installing the EVGA CPU Closed Loop Water Cooling Kit. Should you damage your motherboard during the installation process, EVGA will not be held liable for the physical damage of your EVGA CPU Closed Loop Water Cooling Kit, case, motherboard or any associated hardware when damage is caused by improper installation.