



# GEFORCE RTX™ 3090 Ti FTW3

## Installation Guide

### Hardware Installation

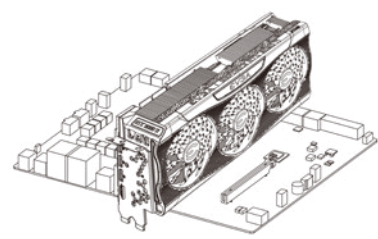
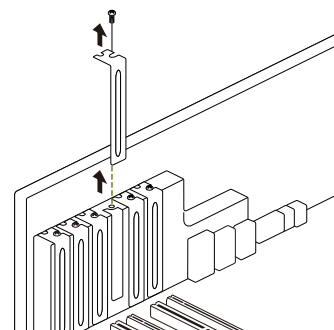
1. Turn off your computer, disconnect the power cord and remove any existing graphics card(s).

**Attention :** It is very important that you wait until the graphics card has cooled down before taking the card out of the system.

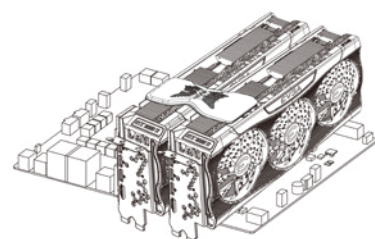
2. Remove the slot covers that correspond to the PCIe slots you are installing the GeForce RTX™ 3090 Ti FTW3 in (if there was no existing graphics card).

3. Install the GeForce RTX™ 3090 Ti FTW3, as shown below. If this card is going into an SLI® configuration, follow the directions for the number of cards you will be installing.

**Note :** All of the graphics cards in an SLI® configuration must be identical.



**First Card :** Install your first GeForce RTX™ 3090 Ti FTW3 into the Primary PCIe x16 slot (the Primary slot is the one closest to the CPU).



**2-way SLI :** Install your second GeForce® graphics card in the secondary PCIe x16 slot. Connect the two cards together using a 2-way SLI bridge. NVLink™ technology is only supported by each GPU Specification.



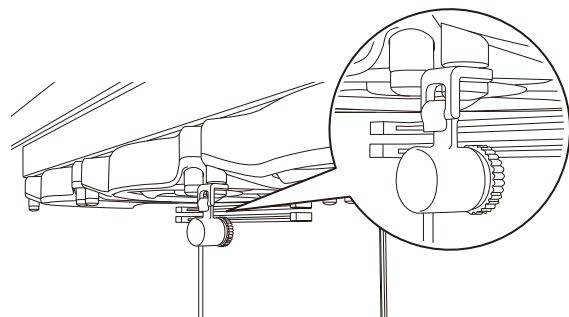
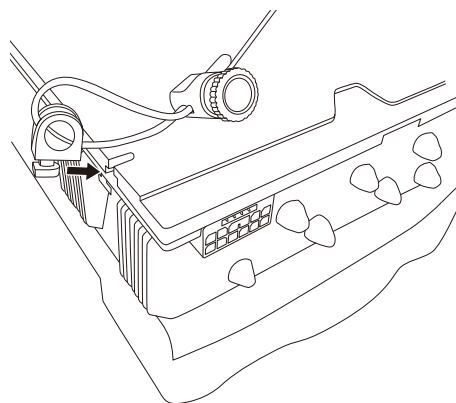
2-Way 4 Slot SLI

4. Optional: Install eLeash to the graphics card backplate, while the other end of eLeash is mounted at a point below the top of your case.

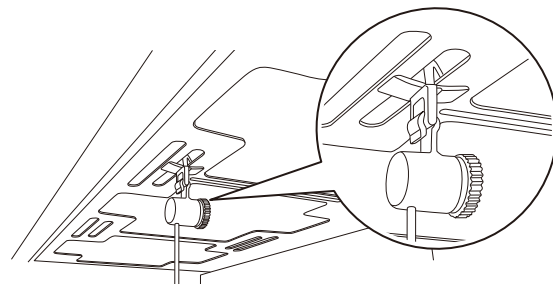
There are two methods to installing eLeash.



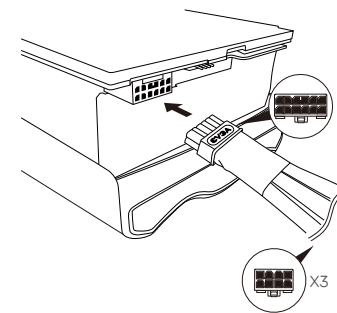
### eLeash Installation



• With Top Fan on Chassis: Use the "Fan attach" and screw to install into an empty screw hole on the top fan and radiator. Use M5 x 10 fan screw if there's no radiator.



• Direct-connect to Chassis: Use the "Chassis attach" to attach to one of the empty fan slots on top of chassis.



5. Install the 16-pin to 3x 8-pin cable adapter to the 16-pin connector of the EVGA GeForce RTX™ 3090 Ti FTW3. All 3x 8-pin PCIe power connector from the system power supply are required.

6. Reinstall the covers on your computer and reconnect any previously removed display cables.



### Driver Installation

With the hardware installed, it is now time to install the graphics driver.

- Power up your computer.
- Download the driver file from [www.evga.com/drivers](http://www.evga.com/drivers). The setup program will take over and walk you through the driver installation process.
- You may need to reboot your PC once the driver installation is complete.

### Connecting to the Display

- Connect the display(s) to the graphics card.
- Reconnect your power cord to the PC.

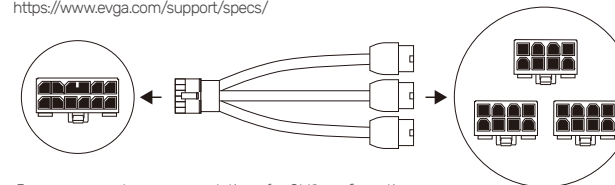
### SLI® Configurations System Requirement

#### Motherboard :

PCIe, PCIe 2.0, PCIe 3.0 or PCIe 4.0 or PCIe 5.0-compliant motherboard with 4 slots-width graphics slot. For an SLI® configuration, you need an NVIDIA NVLINK™ and NVIDIA SLI® certified motherboard.

### System Power Supply

EVGA Geforce RTX™ 3090 Ti FTW3 requires a power supply that meets or exceeds 850W and at least 3x PCIe 8-pin cables. All EVGA VGA Card minimum wattage requirement information can be located on the outside of the retail box for this product or the EVGA website, which can be located here: <https://www.evga.com/support/specs/>

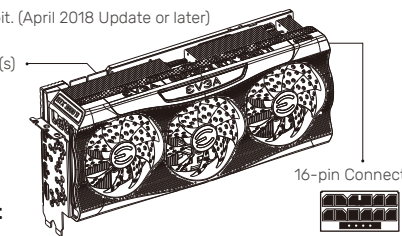


For power supply recommendations for SLI® configurations, visit <https://www.evga.com/powermeter> and check the Certified Products section.

### Operating System:

Microsoft® Windows® 11  
Microsoft® Windows® 10 64-bit. (April 2018 Update or later)  
Linux 64-bit.

NVLink™ connector(s)



### Included Equipment

The following equipment is included in the EVGA GeForce® graphics card box.

- Installation Guide.
- 16-pin to 3x 8-pin Cable Adapter
- EVGA eLeash™

### EVGA's LIMITED WARRANTY

This limited warranty protects your EVGA hardware product against defects or hardware component failures that may occur during normal use while inside the EVGA warranty period ("Warranty"). This Warranty is for the original purchaser only and is non-transferable, non-assignable and is voided when the warranted Products are transferred to another party. A receipt or invoice for the purchase of the product will be required from an EVGA authorized reseller showing ownership of the product if warranty support is needed, unless purchased through the EVGA.com online store.

Additional terms and conditions for the EVGA Limited Warranty can be located on the following pages:

- <https://www.evga.com/warranty/graphics-cards/>
- <https://eu.evga.com/warranty/graphics-cards/>
- <https://latam.evga.com/warranty/graphics-cards/>
- <https://asia.evga.com/warranty/graphics-cards/>
- <https://tw.evga.com/warranty/graphics-cards/>

#### Australia and New Zealand Territories:

The terms and conditions of EVGA's warranty described herein are in accordance with the guidelines set forth by the Australian Competition & Consumer Commission ("ACCC"), in addition to the applicable provisions under the Australian Consumer Law. This Warranty applied specifically to the Products sold within Australia and New Zealand territories.

This Limited Warranty shall remain valid for three (3) years from the date of purchase, and applicable for the EVGA hardware products purchased or obtained from authorized retailers or distributors in Australia and New Zealand ("Products"). To avoid any vagueness, the Warranty shall apply to the Products under ordinary usage.

#### Product Condition

This Limited Warranty is conditioned upon proper use of Product by the Purchaser.

This Limited Warranty does not cover:

- Defects or damage resulting from accident, misuse, abnormal use, abnormal conditions, improper storage, exposure to liquid, moisture, dampness, sand or dirt, neglect, or unusual physical, electrical or electromechanical stress.

- Scratches, dents, cosmetic or any physical damage(s) caused to the product.
- Equipment that has the serial number removed, defaced, damaged, altered or made illegible.
- Defects or damage resulting from "the use of a product in conjunction or connection with accessories, products, or secondary peripheral equipment not furnished or approved by EVGA CORPORATION.
- Defects or damage resulting from external causes such as collision with an object, fire, flooding, dirt, windstorms, lightning, earthquake, exposure to weather conditions, theft, blown fuses, or improper use of any electrical source.

#### Replacement and Refund

- EVGA CORPORATION reserves the right to check the validity of your warranty and your request for warranty service upon receiving the product.
- Products sent in for RMA will be repaired and returned or replaced with a thoroughly tested recertified product.
- EVGA Warranty begins from the date that the product was originally shipped from the EVGA warehouse.
- For the original owner of the product with a valid invoice that can be verified from an approved reseller the warranty begins from the date of purchase on the invoice.
- For products not purchased at EVGA.com, refund claims must be processed through the original vendor's return policy.
- Replacements under EVGA's RMA Service will continue the original product's warranty based on the original warranty start date.

Neither EVGA CORPORATION, nor your authorized EVGA CORPORATION product reseller are responsible for any of your confidential, proprietary or personal information contained in the product which you return to EVGA CORPORATION for any reason.

#### Shipping

- EVGA does not ship to PO Boxes.
- EVGA will pay for return shipping on RMAs via EVGA's choice of courier and shipping method.
- Damaged boxes, or products received in shipping envelopes will be immediately rejected and returned to sender.
- If your product is shipped to you and the address is invalid upon delivery, you are responsible for a redirect or re-ship fee which will vary depending on your region. You must contact EVGA prior to shipment for assistance to avoid this charge. EVGA is not responsible for packages delivered to an outdated address.

- If the product is returned to EVGA you will be responsible to pay for additional shipping charges. EVGA encourages you to check your shipping address prior to submitting any RMA request. EVGA recommends shipping via UPS or FedEx, and to always purchase insurance to protect your investment.

All RMA requirements will state "warranty Replacement" on the package to assist in avoiding any taxes, duties and/or brokerage fees through customs or otherwise. EVGA is not responsible for any fees charged by the destination country's government body, brokers or other third party.

#### What must you do to obtain warranty services?

To obtain service under this Limited Warranty, the purchaser must contact EVGA and receive a Return Merchandise Authorization (RMA) number prior to returning the product to EVGA CORPORATION. Please contact EVGA Technical support at 1-888-881-3842 option 1 or contact us by email at [Support@evga.com](mailto:Support@evga.com).

#### What are the limits on EVGA CORPORATION's liability?

THIS LIMITED WARRANTY SETS OUT THE FULL EXTENT OF EVGA CORPORATION'S RESPONSIBILITIES, AND THE EXCLUSIVE REMEDY REGARDING THE PRODUCTS. ALL IMPLIED WARRANTIES, INCLUDING WITHOUT LIMITATION, IMPLIED WARRANTIES OF MERCHANTABILITY AND FITNESS FOR A PARTICULAR PURPOSE, ARE LIMITED TO THE DURATION OF THIS LIMITED WARRANTY. IN NO EVENT SHALL EVGA CORPORATION BE LIABLE FOR DAMAGES IN EXCESS OF THE PURCHASE PRICE OF THE PRODUCT OR FOR, WITHOUT LIMITATION, COMMERCIAL LOSS OF ANY SORT; LOSS OF USE, TIME, DATA, REPUTATION, OPPORTUNITY, GOODWILL, PROFITS OR SAVINGS; INCONVENIENCE, INCIDENTAL, SPECIAL, CONSEQUENTIAL OR PUNITIVE DAMAGES; OR DAMAGES ARISING FROM THE USE OR INABILITY TO USE THE PRODUCT. SOME JURISDICTIONS DO NOT ALLOW LIMITATIONS ON HOW LONG AN IMPLIED WARRANTY LASTS, OR THE DISCLAIMER OR LIMITATION OF INCIDENTAL OR CONSEQUENTIAL DAMAGES. SO THE ABOVE LIMITATIONS AND DISCLAIMERS MAY NOT APPLY TO YOU.

Nothing in the Product instructions or information shall be construed to create an express warranty of any kind with respect to the Products. No agent, employee, dealer, representative or reseller is authorized to modify or extend this Limited Warranty or to make binding representations or claims, whether in advertising, presentations or otherwise, on behalf of EVGA CORPORATION.

#### Severability

If any portion of this Limited Warranty is held to be illegal or unenforceable, such partial illegality or unenforceability shall not affect the enforceability of the remainder of the Limited Warranty.



The terms HDMI and HDMI High-Definition Multimedia Interface, and the HDMI logo are trademarks or registered trademarks of HDMI Licensing LLC in the United States and other countries.

#E000-00-6003

Installation Guide

